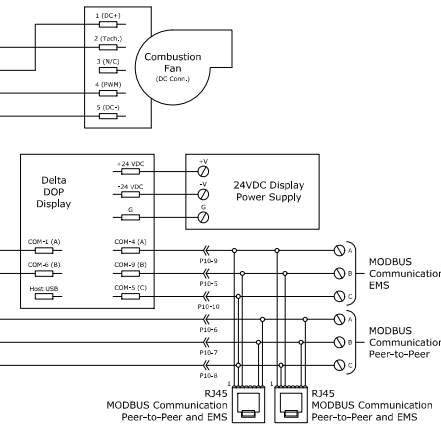
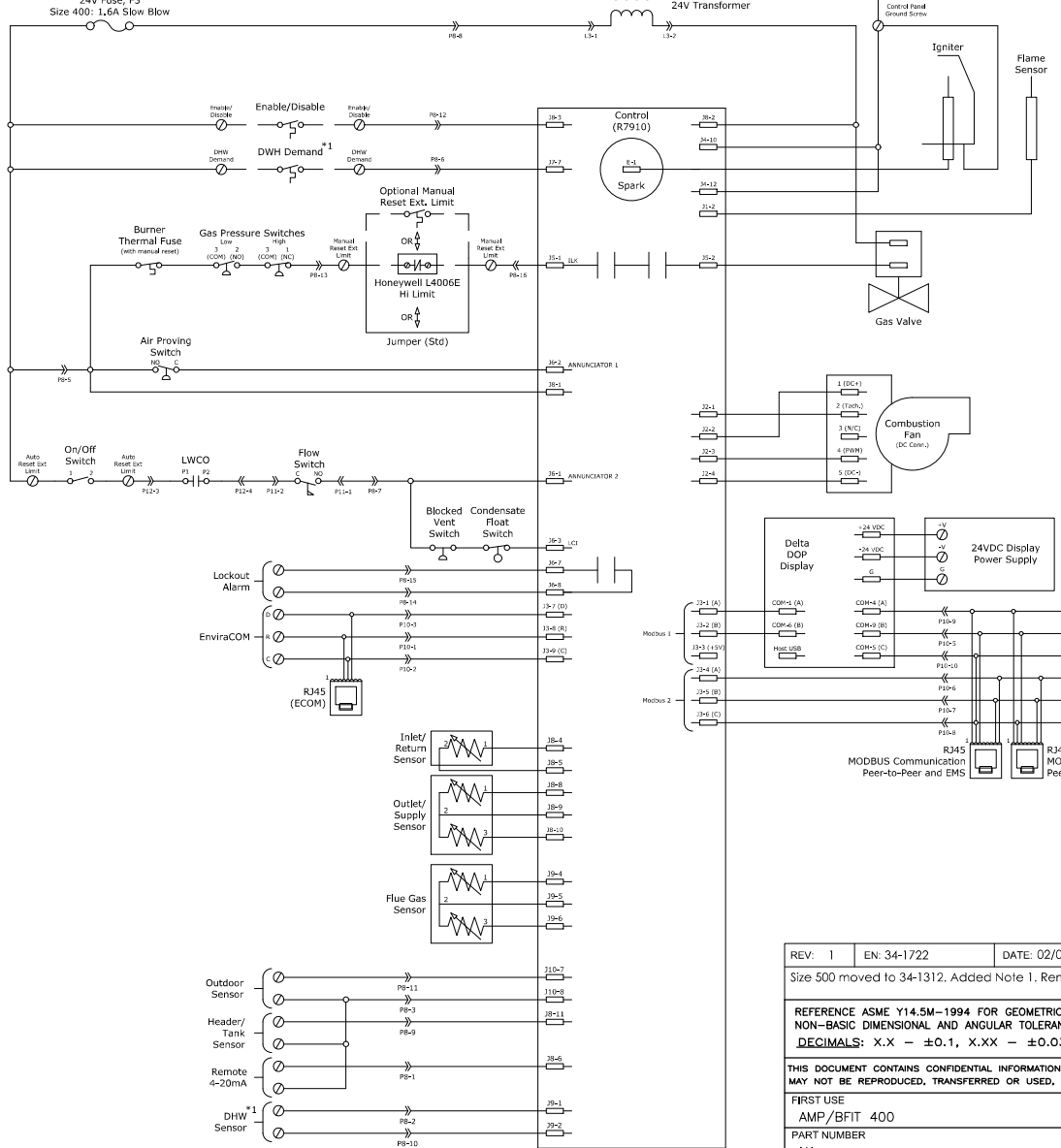
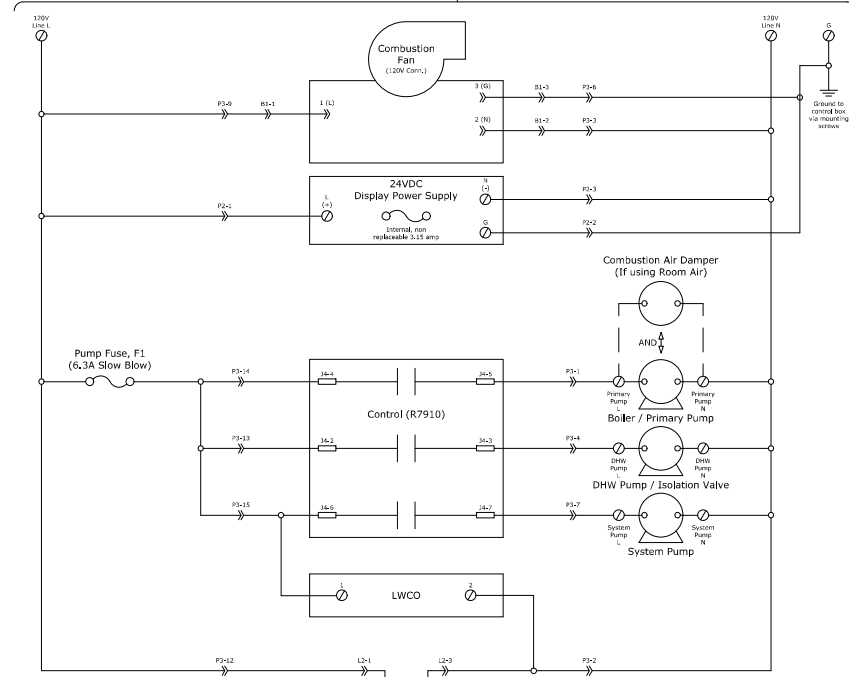


120VAC/60Hz/1Ph
(Line Voltage)

NOTES:
1. These contacts are NOT APPLICABLE to water heaters, and should be labeled as "N/A" by the factory.

Wiring Legend

- Factory Wire Harness
- PCB Trace/Components
- Field Wiring
- Connector
- Screw Terminal



REV: 1	EN: 34-1722	DATE: 02/03/22	DWN: SPS	ENG: AR2	APPD:	APPD:
Size 500 moved to 34-1312. Added Note 1. Removed blower internal fuse notation.						
REFERENCE ASME Y14.5M-1994 FOR GEOMETRIC TOLERANCES. ALL DIMENSIONS IN INCHES. DRAWING NOT TO BE SCALED. NON-BASIC DIMENSIONAL AND ANGULAR TOLERANCES UNLESS OTHERWISE NOTED: DECIMALS: X.X - ±0.1, X.XX - ±0.03, X.XXX - ±0.005. FRACTIONAL: ±1/32. ANGULAR: ±1°						
THIS DOCUMENT CONTAINS CONFIDENTIAL INFORMATION WHICH IS THE PROPERTY OF BRYAN STEAM LLC. THIS DOCUMENT MAY NOT BE REPRODUCED, TRANSFERRED OR USED, OR ITS CONTENTS DISCLOSED, WITHOUT THE WRITTEN PERMISSION OF THE OWNER.						
FIRST USE AMP/BFIT 400			MATERIAL NA			
PART NUMBER NA			TITLE WIRING LADDER DIAGRAM AMP/BFIT 400			
PROPERTY OF BRYAN & STEAM						
DRAWING NUMBER 34-1310		SCALE None		DWG SIZE C		SHEET 1 OF 1